



# KSG-DM SERIES

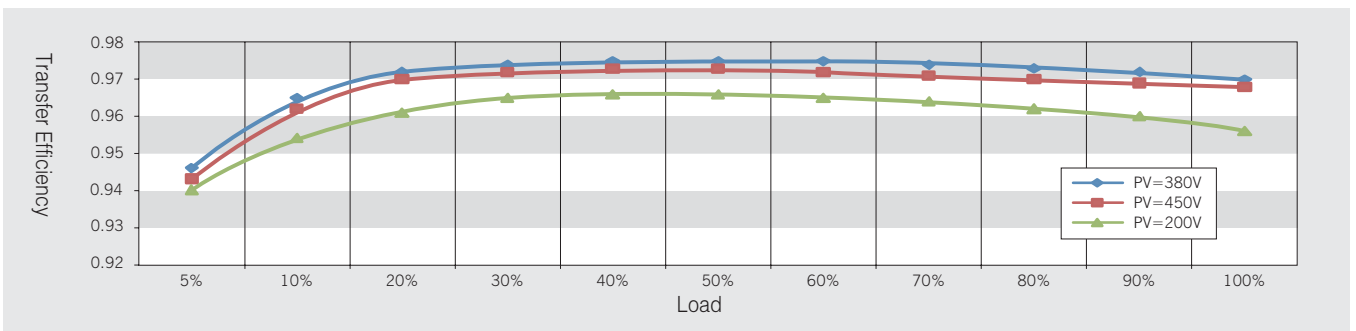
3.2KW/3.6KW/4KW/4.6KW/5KW

- Max PV Voltage up to 500V
- Double MPPT
- High efficiency up to 97.5%
- Smaller and Lighter
- IP65 protection
- Easy installation
- Reactive power controller
- Digital controller

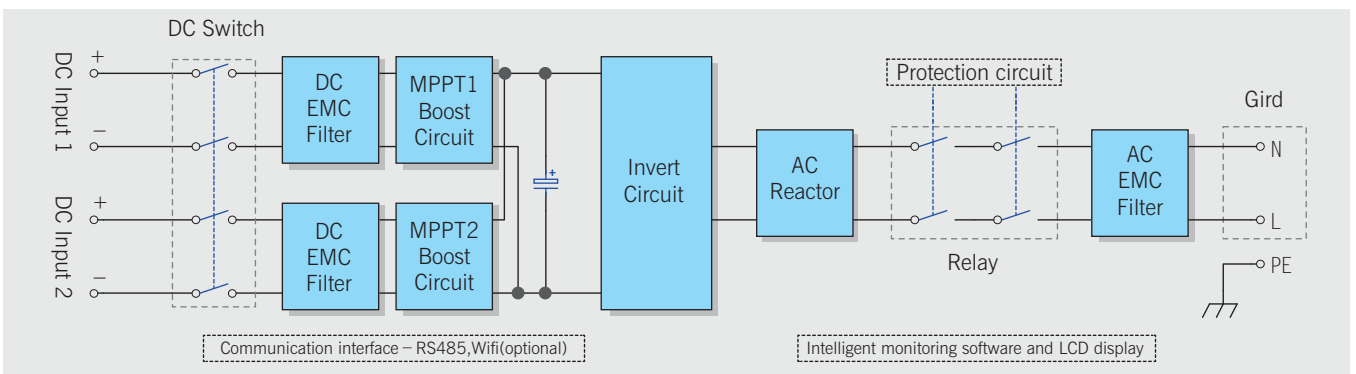


CE, TUV ( VDE 4105/VDE 0126 ) , SAA, G59, C10/11

## Efficiency curve



## Circuit diagram



## KSG-DM Series Technical Specifications

Model	KSG-3.2K-DM	KSG-3.6K-DM	KSG-4K-DM	KSG-4.6K-DM	KSG-5.0K-DM
<b>Input(DC)</b>					
Max. DC power	3300W	3800W	4200W	4600W	5200W
Max. DC voltage / Norminal DC voltage	500Vdc / 380Vdc				
MPPT voltage range	100~490Vdc				
Min. / start DC voltage	120 / 150Vdc				
Full load MPPT voltage range	150~400Vdc	145~400Vdc	165~400Vdc	200~400Vdc	
Number of MPP trackers	2				
Strings per MPP tracker	1				
Max. DC power per MPP tracker	1800W	2200W	2500W	3000W	
Max. input current per MPP tracker	11A / 11A	13A / 13A			
<b>Output (AC)</b>					
Max. AC output Power	3000W	3680W	4000W	4600W	5000W
Norminal AC voltage	230Vac				
AC voltage range	230Vac±20%				
Norminal AC grid frequency	50 / 60Hz				
AC grid frequency range	50 / 60Hz(±5Hz)				
Max. output current	14A	16A	17.5A	20A	22A
Power factor (cos φ)	Lagging0.9 – leading 0.9				
THDI	<3%				
AC connection	LN+PE				
Topology	Transformerless				
<b>Efficiency</b>					
Max. efficiency	97.5%				
Euro efficiency	97%				
MPPT efficiency	99.90%				
Consumption: standby / night	<5W / <0.2W				
<b>Protection devices</b>					
PV input insulation protection	Yes				
AC short-circuit protection	Yes				
Ground fault monitoring	Yes				
<b>Mechanism Data</b>					
Dimensions (W / L / D) in mm	329 / 466 / 149				
Weight	14.5Kg	14.9Kg		15.5Kg	
<b>Environment Data</b>					
Operating temperature range	-25°C ~ +60°C				
Noise emission (typical)	≤ 25dB				
Cooling concept	Natural cooling				
Protection rating	IP65				
<b>Features</b>					
LCD display	Yes				
Interfaces	RS485 / WIFI (Internal)				
Optional	DC Switch / WIFI				

Specifications subject to change without prior notice.