



KSG-SM SERIES

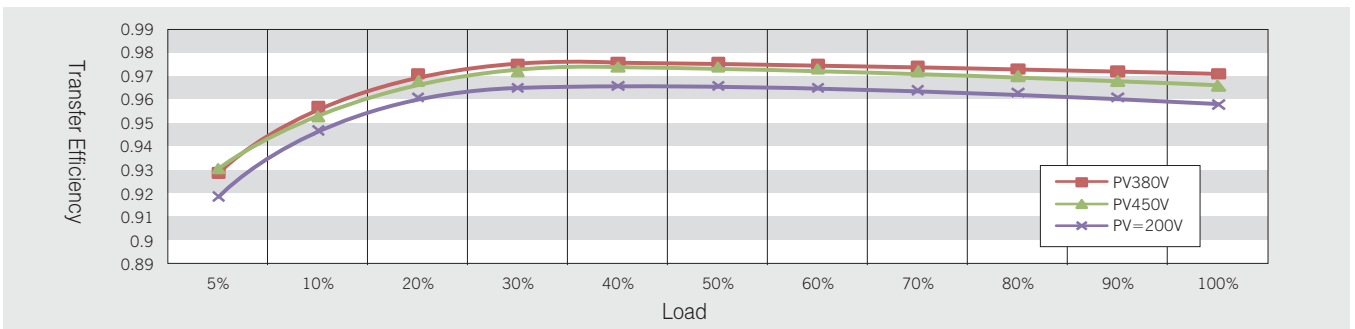
1KW/1.5KW/2KW/3KW

- Max PV Voltage up to 500V
- Single MPPT
- High efficiency up to 97.5%
- Smaller and Lighter
- IP65 protection
- Easy installation

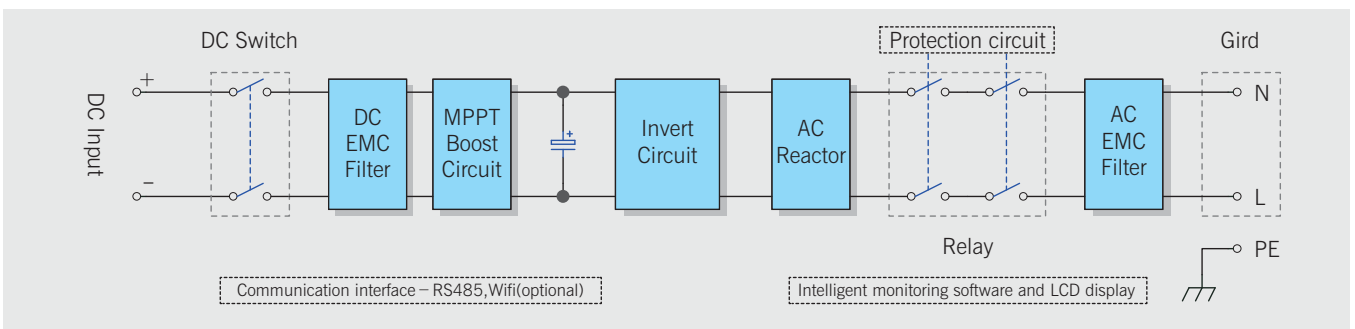


CE, TUV (VDE 4105/VDE 0126) , SAA, G83, C10/11

Efficiency curve



Circuit diagram



KSG-SM Series Technical Specifications

Model	KSG-1K-SM	KSG-1.5K-SM	KSG-2K-SM	KSG-3K-SM
Input (DC)				
Max. DC power	1150W	1600W	2100W	3100W
Max. DC voltage / Norminal DC voltage	500Vdc / 380Vdc			
MPPT voltage range	100~490Vdc			
Full load MPPT voltage range	105~400Vdc	145~400Vdc	190~400Vdc	240~400Vdc
Min. / start DC voltage	120 / 130Vdc			
Number of MPP trackers	1			
Strings per MPP tracker	1			
Max. input current per MPP tracker	11A			13A
Output (AC)				
Max. AC output Power	1000W	1500W	2000W	3000W
Norminal AC voltage	230Vac			
AC voltage range	230Vac±20%			
Norminal AC grid frequency	50 / 60Hz			
AC grid frequency range	50 / 60Hz(±5Hz)			
Max. output current	4.5A	7A	9A	14A
Power factor (cos φ)	1			
THDI	<3%			
AC connection	LN+PE			
Topology	Transformerless			
Efficiency				
Max. efficiency	96.5%		97.6%	
Euro efficiency	96%		97%	
MPPT efficiency	99.90%			
Consumption: standby / night	<5W / <0.2W			
Protection devices				
PV input insulation protection	Yes			
AC short-circuit protection	Yes			
Ground fault monitoring	Yes			
Mechanism Data				
Dimensions (W / L / D) in mm	264 / 326 / 127			
Weight	7.6Kg	8.1Kg		8.6Kg
Environment Data				
Operating temperature range	-25°C ~ +60°C			
Noise emission (typical)	≤ 25dB			
Cooling concept	Natural cooling			
Protection rating	IP65			
Features				
LCD display	Yes			
Interfaces	RS485 / WIFI (External)			
Optional	DC Switch / WIFI			

Specifications subject to change without prior notice.