



KSG-TM SERIES

30KW / 50KW / 60KW

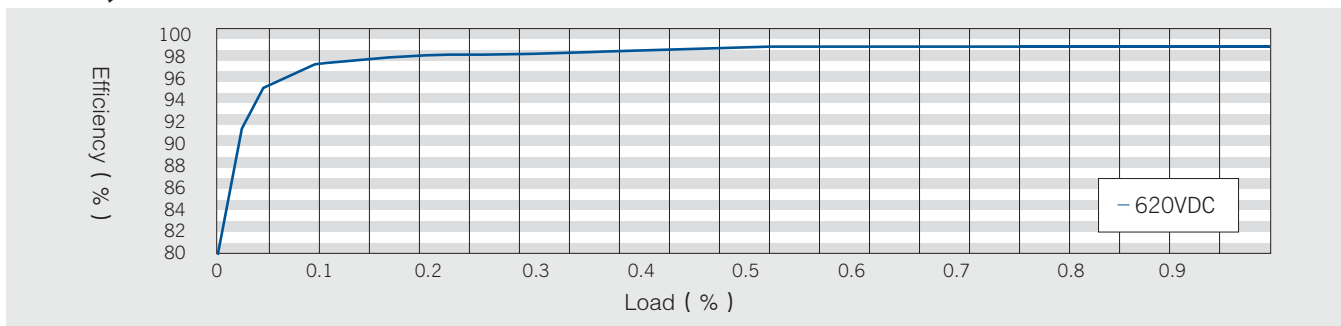
- Max PV Voltage up to 1000V
- Three MPPT
- High efficiency up to 98.6%
- IP65 protection
- Easy installation
- Reactive power controller
- Digital controller



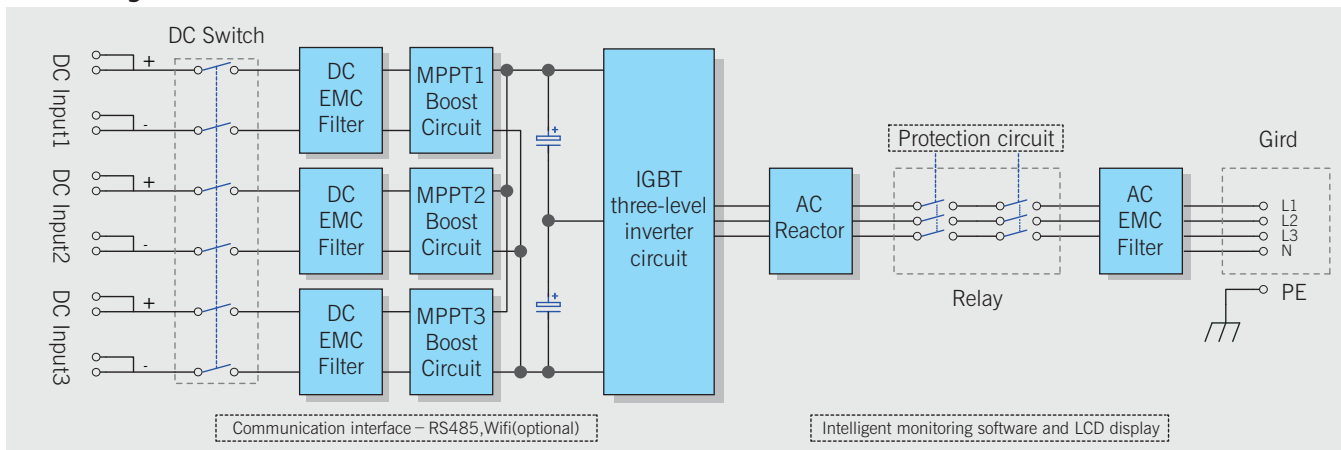
VDE 4105 / VDE 0126

CE、SAA、BV (VDE 4105/VDE 0126) 、C10/11

Efficiency curve



Circuit diagram



KSG-TM Series Technical Specifications

Model Specifications	KSG-30K	KSG-50K	KSG-60K
Input(DC)			
Max. DC power	35KW	56KW	67KW
Max. DC voltage	1000Vdc		
MPPT voltage range	250~950Vdc		
Full load MPPT voltage range	400~800Vdc	480~800Vdc	500~800Vdc
Norminal DC voltage	620Vdc		
Min. / start DC voltage	200 / 250Vdc		
Number of MPP trackers	3		
Strings per MPP tracker	2	4	
Max. input current per MPP tracker	26A / 26A / 26A	36A / 36A / 36A	40A / 40A / 40A
Output (AC)			
Norminal AC output Power	30KW	50KW	60KW
Max. AC output Power	33KW	55KW	66KW
Norminal AC voltage	400Vac		
AC voltage range	400Vac±20%		
Norminal AC grid frequency	50 / 60Hz		
AC grid frequency range	50 / 60Hz(±5Hz)		
Rated. output current	44A	72A	87A
Max. output current	48A	80A	95A
Power factor (cos φ)	0.8leading-0.8lagging		
THDI	<3%		
AC connection	3W+N+PE/3W+PE		
Topology	Transformer less		
Efficiency			
Max. efficiency	98.3%	98.6%	
Euro efficiency	98.0%	98.2%	
Protection devices			
AC leakage current fault monitoring	Yes		
Ground fault monitoring	Yes		
Mechanism Data			
Dimensions (W / L / D) in mm	636 / 958 / 260		
Weight	61Kg	68Kg	70Kg
Environment Data			
Operating temperature range	-25°C ~ +60°C		
Noise emission (typical)	≤40dB	≤60dB	
Cooling concept	Natural cooling	fans	
Protection rating	IP65		
Features			
LCD display	Yes		
Interfaces	RS485		

Specifications subject to change without prior notice.