

# SOLAR PRODUCTS



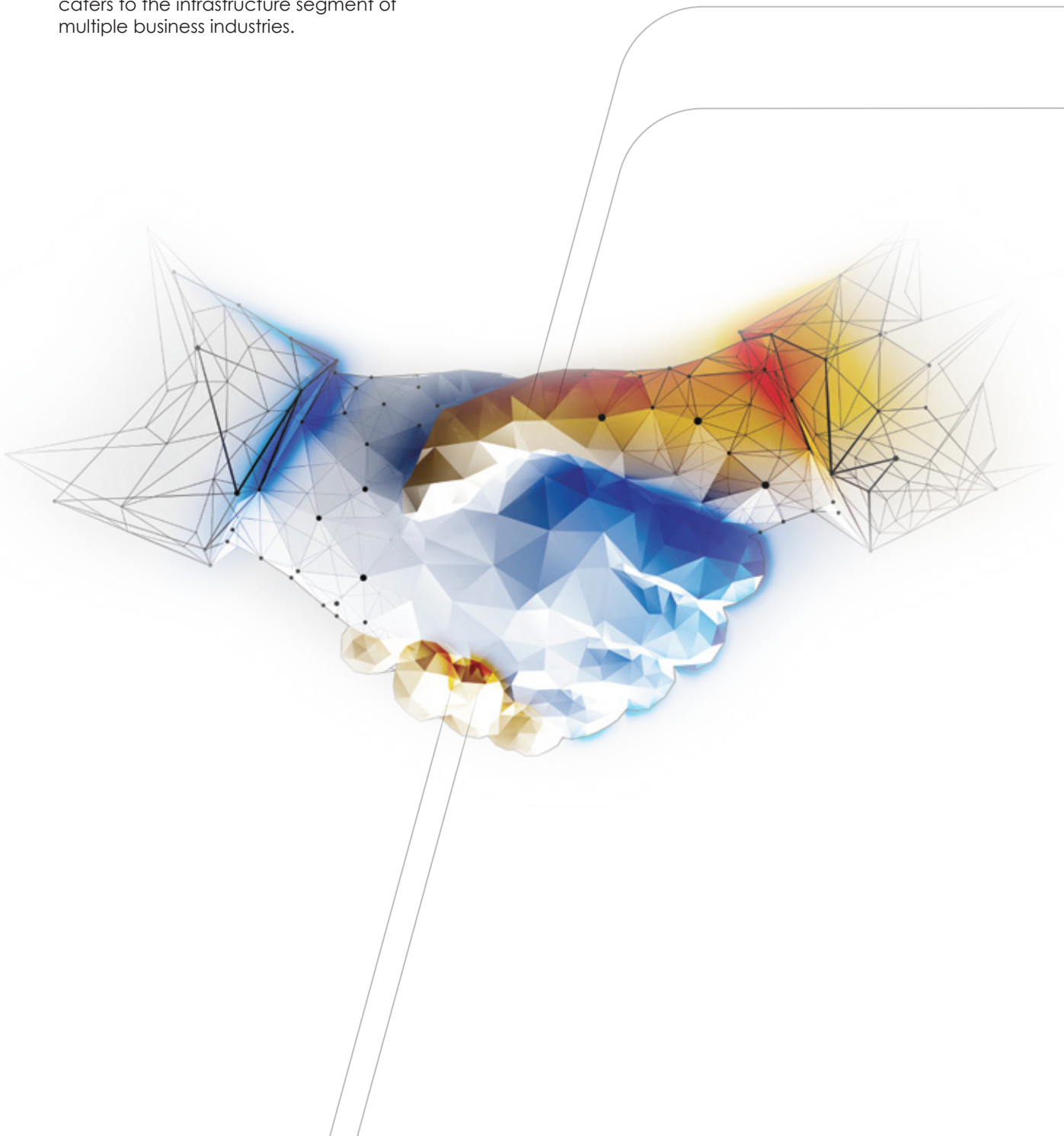
- SOLAR JUNCTION BOX
- SOLARLOK PV4-S1

## Welcome to Raychem RPG

---

Raychem RPG (P) Ltd., incorporated in 1989, is a 50:50 Joint Venture between TE Connectivity, U.S.A. and RPG Enterprises, India. It is one of the longest running successful joint ventures in India for over 36 years.

Built on foundation of trust and traditions, Raychem RPG is involved in engineering solutions and services. Pioneering smart products and technologies, the company caters to the infrastructure segment of multiple business industries.



# OUR VISION

## Reliable Connections. Always...

Whether powering a home or enabling a sector or energizing an industry, our products and solutions form an integral part of systems and play a vital role in shaping the daily lives and driving progress for communities and nations. With each product and solution, we pave the path for a better future.

# OUR MISSION

To deliver exceptional value to all stakeholders by fostering collaboration, agility and innovation

We will prioritize collaboration, agility, and innovation as core values. It implies a commitment to delivering exceptional value to stakeholders through a culture of trust & commitment, teamwork, adaptability, and innovation.



# CORE VALUES



**Focus on Customers**  
Customer-first approach drives our business success.



**Transparency**  
Communicate openly and demonstrate integrity in all activities.



**Stakeholder Appreciation**  
Develop a committed and responsive community of Employees, Distributors and Vendors.



**Performance Recognition**  
Demonstrate passion for performance through anticipation, speed and flexibility.




**Rewarding Growth**  
Embrace growth and productivity through innovation and entrepreneurship.



**Sustainability**  
Protect the environment and contribute to the society around us.

# FUTURE IS IN SMART ENGINEERING



Comprehensive knowledge and learning in design and engineering over the last three decades have helped us set up a strong technical base and offer contemporary products that are on par with international quality and reliability.

Based on the feedback of customers like you, our team of 50+ design engineers continuously researches on improvement and unexplored ideas in material science, electrical design and industrial product engineering.

This enables us to identify gaps in the marketplace and offer you new, innovative products. Unique differentiation in products, achieved through innovation, adds to our knowledge bank. These are protected through continuous filing of Intellectual Property, and help maintain our leadership position in the market.

For you, this means embracing the latest technology.

# FUTURE IS IN SMART MANUFACTURING FACILITIES



Halol Plant | 23 Acres



Vasai Plant | 04 Acres



Chakan Plant | 11 Acres



Naigaon Plant | 2.5 Acres

We have state-of-the-art manufacturing facilities at four locations in India (Vasai, Naigaon, Halol and Chakan). With strong capability in lean manufacturing operations results in an optimised and cost-effective products.

RRL manufactures a wide range and variety of products at these facilities using conventional as well as contemporary processes and exclusive material including packaging items, which are environment friendly.

We have implemented smart manufacturing practices like integrated workstations, error-free assembly and streamlined techniques of production. Adoption of internationally acclaimed tools and techniques, combined with automation and digitization at each stage of manufacturing ensures

high level of productivity, quality, reliability, safety and morale. As a testimony to our disciplined and structured working as well as self-reliance, each of our manufacturing facilities is certified for their continued compliance to international standards like ISO 9001, ISO 14001, and OHSAS 18001 for the Quality, Environment, Health and Safety Management Systems respectively. Besides, these facilities have been certified for ISO 50001 and ISO 27001 for their Energy and Information Security Management Systems.

For you, this means international quality products.

# CONTENT

SOLAR  
JUNCTION BOX

01



SOLARLOK  
PV4-S1

02



CATALOGUE  
INFORMATION

03



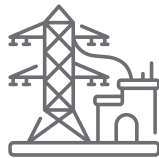
TECHNICAL  
DETAILS

04-05



APPLICATIONS

06



# SOLAR JUNCTION BOX



## FEATURES



RTI: 125°C  
UL-94 V0, 5VA



IP 68



-40°C to +85°C



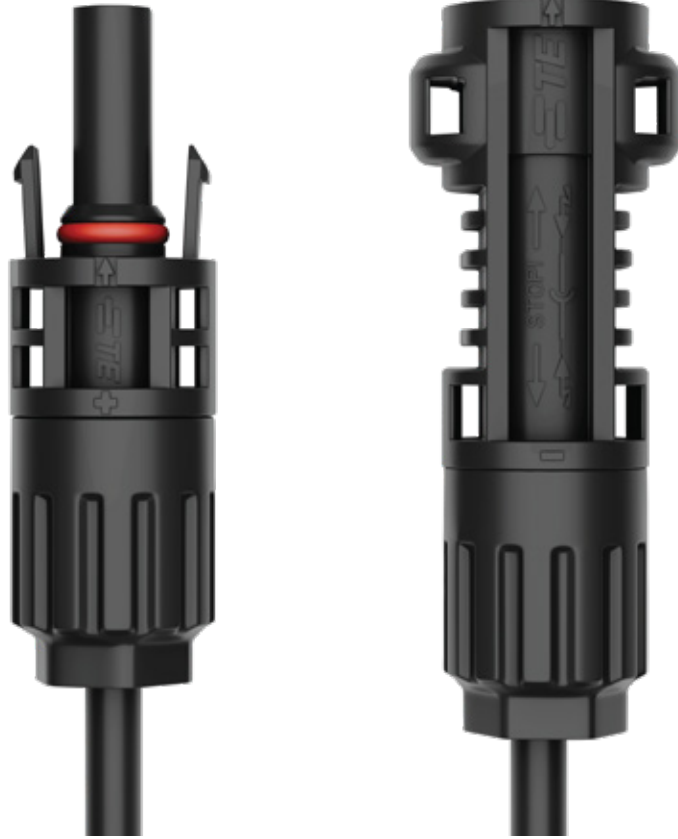
High Quality Diodes



Higher Voltage Ratings



# SOLARLOK PV4-S1



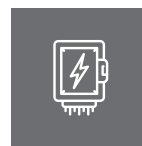
## FEATURES



IP68 (1 m /24 hours) protection.



low contact resistance



1500V DC.



AWG 14 (2.5 mm<sup>2</sup>) to AWG 12-10 (4-6 mm<sup>2</sup>).



Durable and UV-Resistant Housing



Easy and secure cable connections.





## CATALOGUE INFORMATION

### SOLAR JUNCTION BOX

PCN	Ampere Rating (in Ampere)	Cable Length (in meters)
EPASOB1006	25	0.3
EPASOB1007	25	0.3
EPASOB1008	25	0.3
EPASOB1009	25	0.3
EPASOB1014	25	0.4
EPASOB1016	25	0.4
EPASOB1025	25	0.4
EPASOB1026	25	0.4
EPASOB1017	25	0.6
EPASOB1018	25	0.6
EPASOB1019	25	0.6
EPASOB1020	25	0.6
EPASOB1039	25	1.2
EPASOB1040	25	1.2
EPASOB1041	25	1.2
EPASOB1042	25	1.2

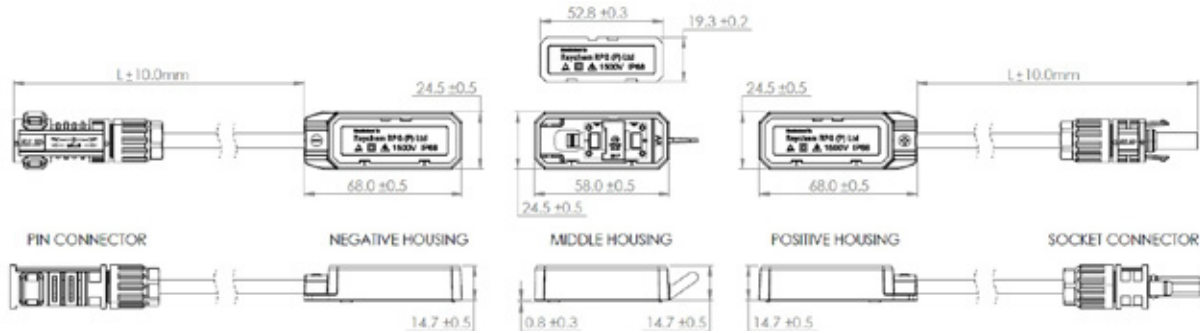
PCN	Ampere Rating (in Ampere)	Cable Length (in meters)
EPASOB1010	30	0.3
EPASOB1011	30	0.3
EPASOB1012	30	0.3
EPASOB1013	30	0.3
EPASOB1027	30	0.4
EPASOB1028	30	0.4
EPASOB1029	30	0.4
EPASOB1030	30	0.4
EPASOB1021	30	0.6
EPASOB1022	30	0.6
EPASOB1023	30	0.6
EPASOB1024	30	0.6
EPASOB1043	30	1.2
EPASOB1044	30	1.2
EPASOB1045	30	1.2
EPASOB1046	30	1.2

### SOLARLOK PV4-S1

PCN	CABLE SIZE (sqmm)	Voltage (DC)	MOQ	PACKING TYPE
EPASOA1008	4-6	1500	1000	Strip
EPASOA1009	4-6	1500	1000	Strip
EPASOA1010	4-6	1500	1000	Loose
EPASOA1011	4-6	1500	1000	Loose

# TECHNICAL DATA

## SOLAR JUNCTION BOX

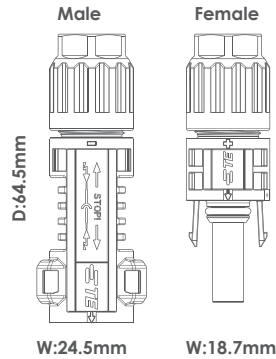


Parameters	Specifications
Type of appliance	Photovoltaic Junction Box
Model	RRPL01xy
Rated Current	25A, 30A & 35A
Rated Voltage	1500 V DC
Rated Impulse Voltage	16KV
Reverse Current	50 A
Ingress Protection	IP68
Pollution Degree(Inside)	PD 1
Protection Class	2
Overtoltage category	III
Raw Material	THERMOPLASTIC (m-PPE)
RTI of Material	125 °C
Flammability Class	UL-94 V0, 5VA
Contact Resistance	$\leq 1 \text{ m}\Omega$
Temperature Range	-40 °C to +85 °C
Connecting Cable	62930 IEC 131, 1x4mm <sup>2</sup> , $\geq 1.5 \text{ KV DC}$ ,
Cable Diameter (overall)	6.3±0.1mm
No. of Diodes	3
Waterproofing Structure	2 component potting
Width of Busbar	Max 8.5mm
Busbar Termination	Solder-type
Contact Material	Copper Alloy, Tin Plated
Bonding Mode	Sealant
PV Connectors (Male & Female)	1500V DC, 35A, IEC 62852
IEC Standards	IEC 62790:2020; EN IEC 62790:2020



## TECHNICAL DATA

### SOLARLOK PV4-S1



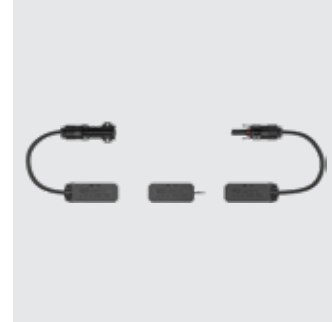
Parameters	Specifications
Rated voltage	1500V DC
Rated Current	29 A Max. for 2.5 mm <sup>2</sup> (TÜV Rheinland IEC62852, 85°C ambient) 35 A Max. for 4.0 mm <sup>2</sup> (TÜV Rheinland IEC62852, 85°C ambient) 40 A Max. for 6.0 mm <sup>2</sup> (TÜV Rheinland IEC62852, 85°C ambient) 35 A Max. for 14 AWG (UL6703, 55°C ambient) 40 A Max. for 12 AWG (UL6703, 55°C ambient) 50 A Max, for 10 AWG (UL6703, 55°C ambient)
Ambient temperature	-40 °C to +85°C
Ingress Protection	IP68 (1m, 24h)
Protection Class	II
Cable Wire size	2.5 mm <sup>2</sup> /14 AWG, 4.0 mm <sup>2</sup> /12 AWG and 6.0 mm <sup>2</sup> /10 AWG
Cable Jacket Diameter UL approved:	6.0 mm to 7.5 mm
Overvoltage category	III
Pollution degree	2 in the sealed area: 3 outside the sealed area



## APPLICATIONS

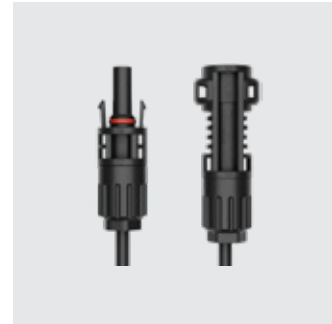
### SOLAR JUNCTION BOX

- Ideal for bifacial panels that generate energy from both front and rear surfaces, enhancing overall energy yield.
- Supports half-cut solar cells, offering improved efficiency and lower power loss in high-performance solar modules.
- With robust construction and wide temperature range compatibility, it performs reliably in harsh climatic conditions



### SOLARLOK PV4-S1

- Solar panels
- Inverters
- Micro inverters
- DC optimizers





## OFFICE

### HEAD OFFICE

Raychem RPG (P) Ltd.  
A-1401, 14th Floor, ThaneOne,  
DIL Complex, Majiwada,  
Thane (West) 400610

## REGIONAL CONTACTS

### New Delhi

C/O Innov8, 2nd Floor, Regal Building  
44, Connaught Circle,  
Hanuman Road Area,  
Connaught Place, New Delhi 110001  
(Opposite: Palika Parking/Above CCD)

### Karnataka

Ground, Beech, Manyata  
Embassy Business Park,  
Outer Ring Rd, E-1, Nagavara,  
Bengaluru, Karnataka 560045

### Chennai

Olympia Platina 9th Floor,  
Plot No. 33-B, South Phase,  
Guindy Industrial Estate,  
Chennai 600 032

### Kolkata

Urban Wrk- Techno Polis,  
8th, BP Block, Sector V,  
Bidhannagar, Kolkata,  
West Bengal 700091

To learn more about Raychem RPG solutions  
and offering visit [www.raychemrpg.com](http://www.raychemrpg.com)  
Or reach our Customer Interaction Cell  
Contact: **022-45745060**  
Email: [cic@raychemrpg.com](mailto:cic@raychemrpg.com)

Follow us on



### Disclaimer

- Product improvement is a continuous process. For the latest information and special application, please contact any of our offices listed here.
- Product photographs shown for representative purpose only.